

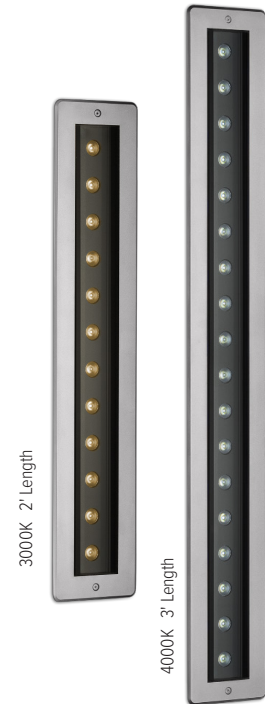
# PARADE L RECESSED

Static White



## DESCRIPTION

PARADE L recessed linear luminaires are available in two or three foot lengths. Each model features premium quality high-brightness LEDs and a comprehensive selection of eight light distributions. Standard built-in programming capabilities include standalone or master-satellite configurations without the use of external control systems, or operation by remote DMX512 control systems. Recessed housing, trim, and hardware are stainless steel.



IP67/ IK10 / /

Date: \_\_\_\_\_ Type: \_\_\_\_\_ Catalog Number: \_\_\_\_\_

Project Name: \_\_\_\_\_

## ORDERING INFORMATION

LUMINAIRE						
MODEL	CCT	CONTROL †	CABLE	VOLTAGE	OPTIC	OPTION
<b>PDL2R</b> Parade L2 Recessed- 2' Length	<b>27K</b> 2700K	<b>DMX-RDM</b> DMX-RDM	<b>M</b> Monocable only (19.7")	<b>UNV</b> 120-277v	<b>SP</b> Spot 8°	<b>LVR</b> Internal Honeycomb Louver
<b>PDL3R</b> Parade L3 Recessed- 3' Length	<b>30K</b> 3000K				<b>NB</b> Narrow 10°	
<b>PDL2RPE</b> Parade L2 Recessed Polar Edition- 2' Length	<b>40K</b> 4000K				<b>MB</b> Medium 26°	
<b>PDL3RPE</b> Parade L3 Recessed Polar Edition- 3' Length					<b>WB</b> Wide 40°	
					<b>EW</b> Extra Wide 58°	
					<b>ELH</b> Elliptical 42° x 11°	
					<b>ELWH</b> Elliptical Wide 40° x 24°	
					<b>WW</b> Wall Wash 35° x 15° (5° incline)	

† Consult factory for availability of per-foot resolution.

\* Consult factory for availability of additional optical options.

BACK BOX (Required, Ordered Separately)	ACCESSORIES	WIRING ACCESSORIES
<b>PDL2R-RBB</b> Parade L2 Recessed Back Box	<b>AL1321 ***</b> Infrared Remote Control	See separate Wiring and Accessory Application Sheet
<b>PDL3R-RBB</b> Parade L3 Recessed Back Box		

\*\*\* Unless an RDM compatible control is used, one AL1321 Infrared Remote Control must always be purchased for one or more DMX/RDM luminaires in order to access DMX addressing.



www.griven-usa.com (For other Experience® Brands companies, please visit www.experiencebrandsusa.com)  
In a continuing effort to offer the best product possible, we reserve the right to change, without notice, specifications or materials. Technical specification sheets that appear on www.griven-usa.com are the most recent ones available.

# PARADE L RECESSED

Static White



		PARADE L2R	PARADE L3R
PHYSICAL	HOUSING	Extruded Aluminum	
	HOUSING SIZE	27" L x 5.5" W x ø4.5"	38.5" L x 5.5" W x ø4.5"
	WEIGHT	14.5 lbs	20.3 lbs
ELECTRICAL	POWER CONSUMPTION	37 watts max	56 watts max
	AMPERAGE	0.32A @ 120VAC 0.15A @ 277VAC	0.50A @ 120VAC 0.22A @ 277VAC
	EFFICACY	Up to 80 lumens per watt	
	LUMEN OUTPUT	2950 to 3200 lumens	4400 to 4800 lumens
	CONTROL PROTOCOLS *	DMX/RDM   Self-Addressing   Standalone   Master-Satellite   DMX/RDM Addressable per foot (Contact Factory) * See separate DMX Mode Application Sheet	
	OPERATING TEMPERATURE	-40°C to 50°C (-40°F to 122°F)	
PHOTOMETRIC	LED	Static White (2700K, 3000K, or 4000K)	
	# LEDS	12	18
	L70 LUMEN MAINTENANCE	100,000 Hours @ 25°C	
	# DISTRIBUTIONS	Eight	
	LIGHT CONTROL ACCESSORIES	Internal Honeycomb Louver; Consult Factory for Availability of Optional Spreading Diffusers	
CERTIFICATIONS	SAFETY	ETL Listed for Wet Locations	
	INGRESS PROTECTION	IP67	
	IMPACT RATING	IK10	
	EUROPEAN	RoHS	
ACCESSORIES	INTERNAL LOUVER	x	x
	INFRARED REMOTE CONTROL	x	x

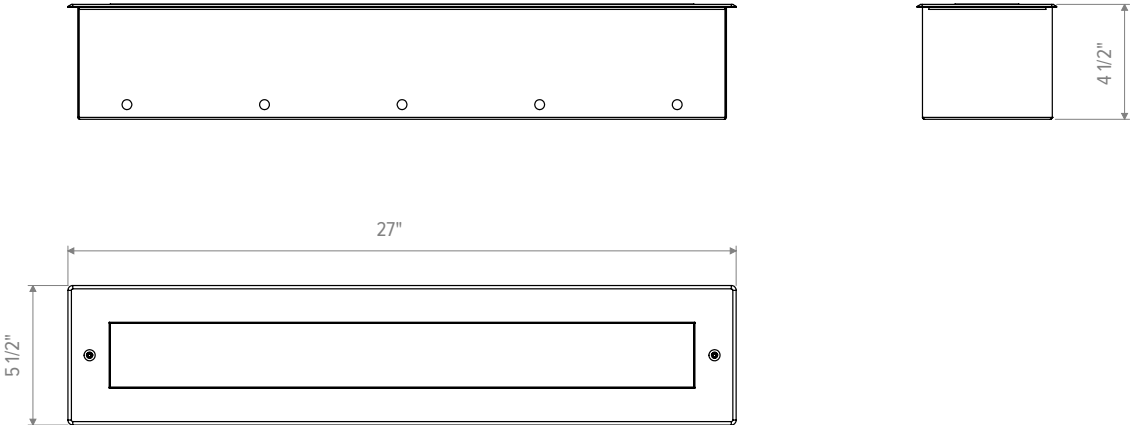
# PARADE L RECESSED

Static White

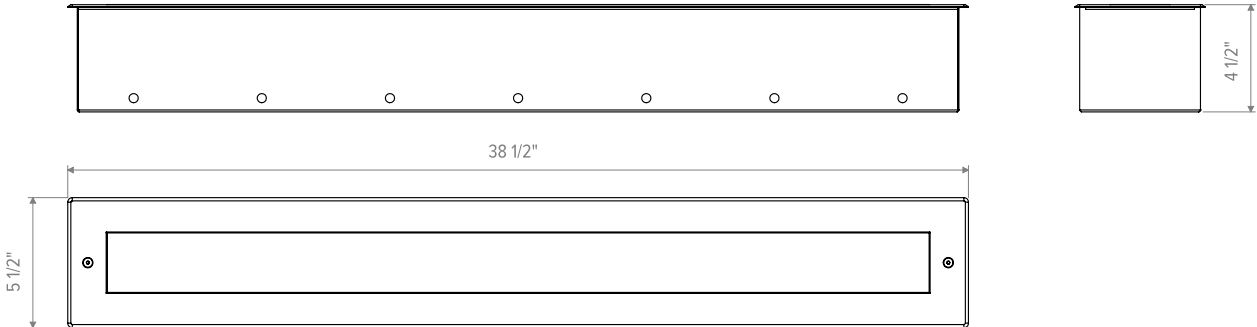


**DIMENSIONS** All dimensions are shown in inches unless otherwise noted.

### PDL2R

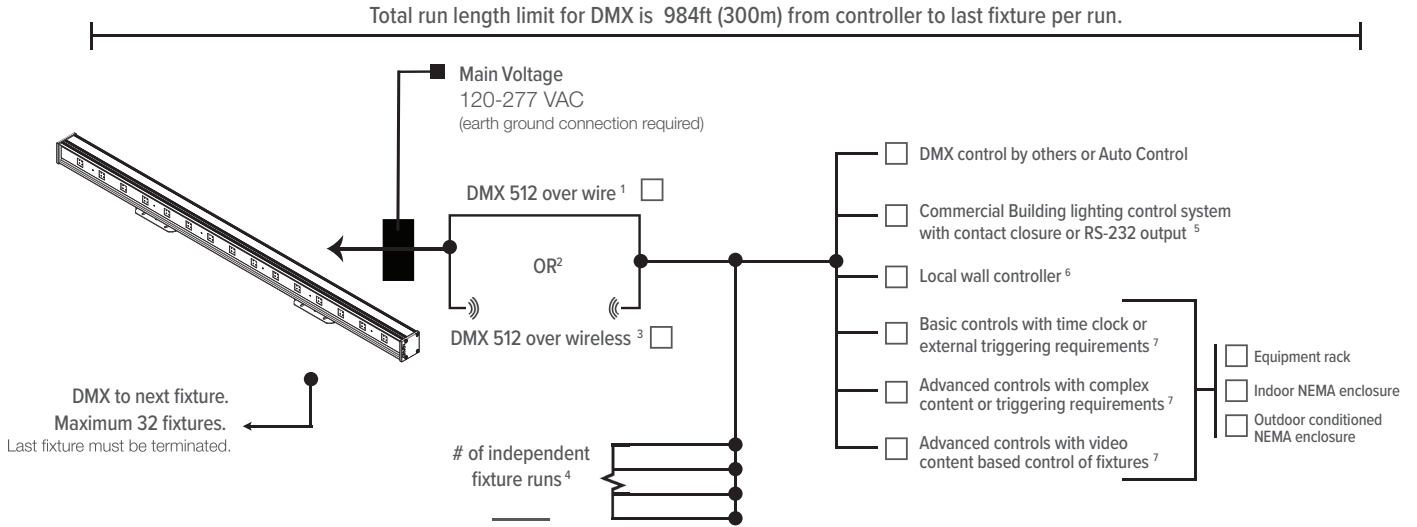


### PDL3R



CONTROL OPTIONS (DMX512, PRIMARY CONTROL PLATFORM)

Contact manufacturer for control system development.



NOTES

1. Wire specifications are available from factory as well as approved wire for purchase.
2. Other control protocol solutions available. Contact factory for more information.
3. Wireless components are external to fixture. Distance limitations based on antennas chosen and site conditions. Contact factory for more information.
4. Based on maximum of 32 fixtures per run as well as any site constraints on conveyance of data.
5. For example: Lutron, Crestron, Encelium, Douglas, ETC by others. Griven control system will interface with building lighting control system.
6. Local wall controller for small applications. Wall controllers specified separately for larger systems.
7. Contact factory for assistance with specification. Onsite commissioning by Griven of control system is required.

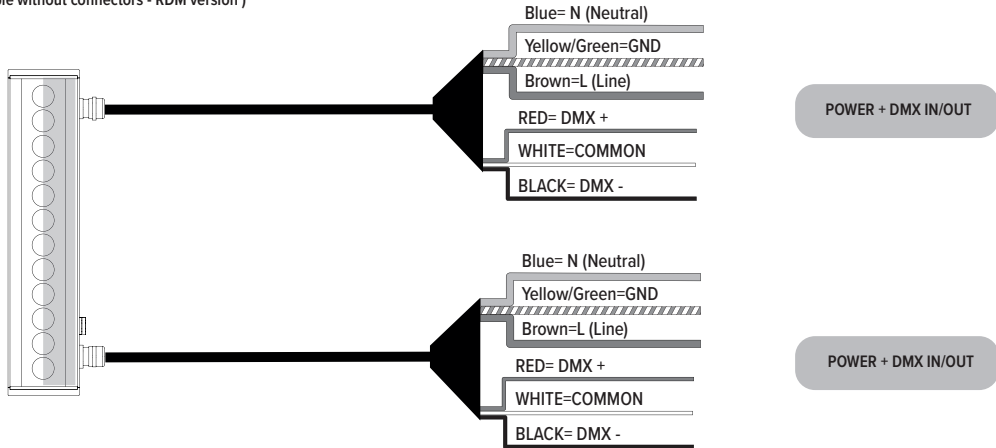
# PARADE L RECESSED

Static White

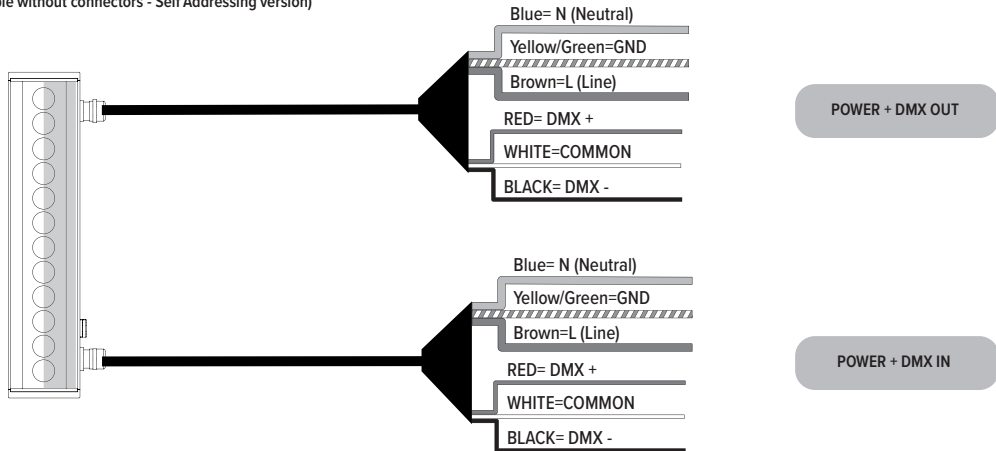


## CONNECTIONS

"M" Type cable ( Monocable without connectors - RDM version )

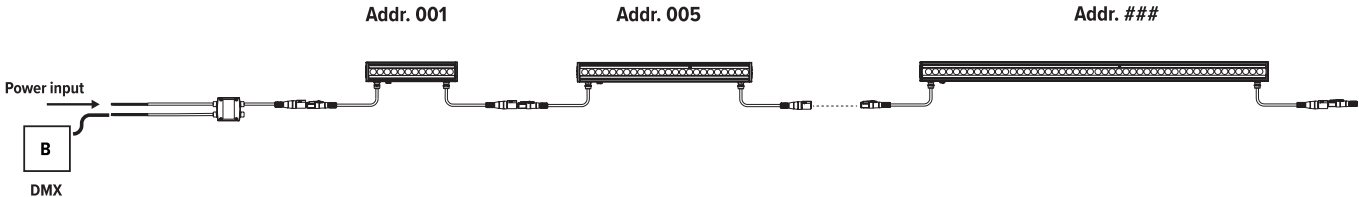


"M" Type cable ( Monocable without connectors - Self Addressing version)



OPERATING MODES

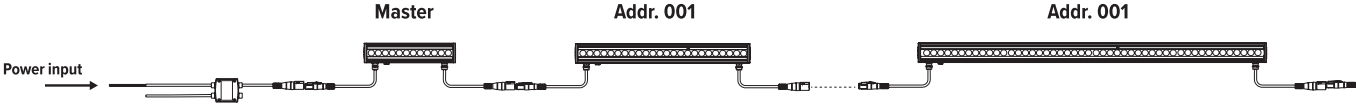
DMX Mode



Example with fixtures set at 4 DMX channels

Master-Slave / Automatic / Fixed color Mode

( Only DMX Mode #1 )



**WARNING !** in this mode, no other DMX control device must be present along the line.